



MARSHALL ENGINEERED PRODUCTS CO.

## **MEPCO Introduces Expanded Line Vacuum Breakers**

**May 30, 2012**

**Grand Rapids, Michigan** – MEPCO wishes to announce we have an expanded line of vacuum breakers. Not only have we redesigned our current adjustable vacuum breaker to handle a maximum of 125 lbs. PSIG, but we have also added a new line of pre-set vacuum breakers. The new vacuum breakers have a hex design that provides a long service life and ease of installation. Sizes range from 1/8", 1/4", 1/2", and 3/4" NPT and are all rated to 125 lbs. PSIG.

Attached you will find a new cut sheet. The cut sheet will also be available on our website. Orders can be placed immediately. As always, if you have any questions please contact customer service.

**Ed Gilde**



MARSHALL ENGINEERED PRODUCTS CO.

## Steam Specialties Adjustable Vacuum Breaker

### Features and Benefits

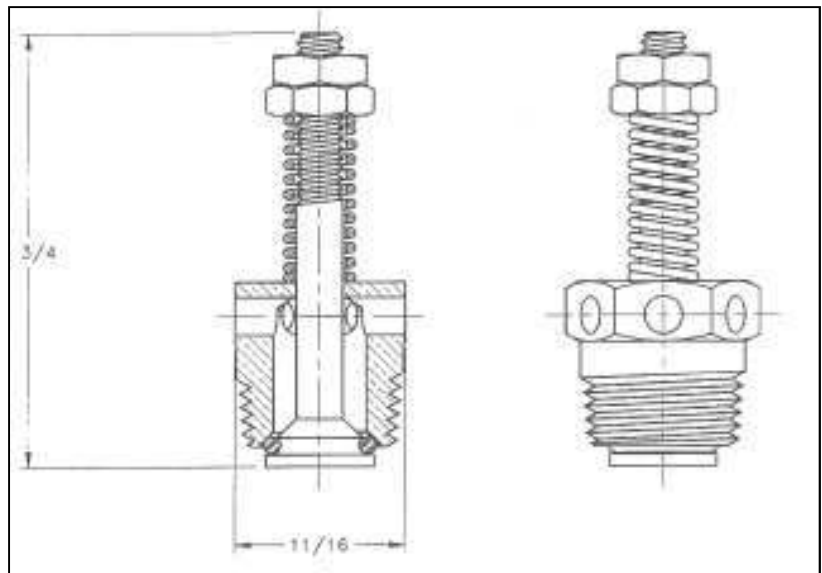
The MEPCO Adjustable vacuum breaker is a simple, reliable device that provides a positive means to automatically relieve or “break” vacuum at a predetermined setting. The MEPCO vacuum breakers are furnished with a 3/8” male NPT and are set at the factory to begin opening at 2” of vacuum. They may be field adjusted from 1” to 28” of vacuum. Maximum operating pressure is 125 lbs. PSIG.



### Applications

The MEPCO vacuum breaker is not intended to control or maintain a specific degree of vacuum, but is designed to be applied to prevent damage such as:

1. **Freezing of Coils** resulting from the holding back of condensate due to an induced vacuum.
2. **Collapse of jackets** on steam jackets and kettles caused by vacuum where steam is shut off.
3. **Water hammer** in any heating equipment due to vacuum caused by throttling control valves.





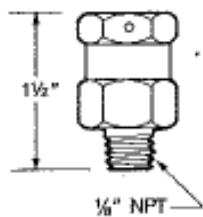
MARSHALL ENGINEERED PRODUCTS CO.

## Steam Specialties Vacuum Breakers

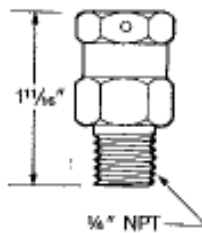
MEPCO Vacuum Breakers are simple and reliable devices that provide a positive means to automatically relieve or “break” unwanted vacuum conditions. The hex design provides a long service life and ease of installation. A tight seal is assured with a soft silicon O-Ring and spring pressure against the valve.

### Applications

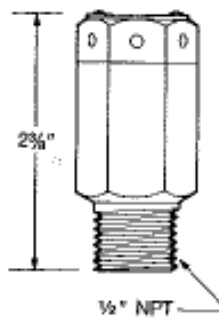
- Air/Heat Coils for Space Heating
- Process Air Heaters
- Shell & Tube Heat Exchangers
- Make-Up Air Coils
- Textile Dry Cans
- Steam Boilers
- Storage Boilers
- Jacketed Kettles
- Steam Main Zoning
- One Pipe Steam Non-Electric Valve



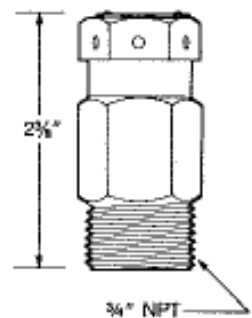
VB 3901



VB 3902

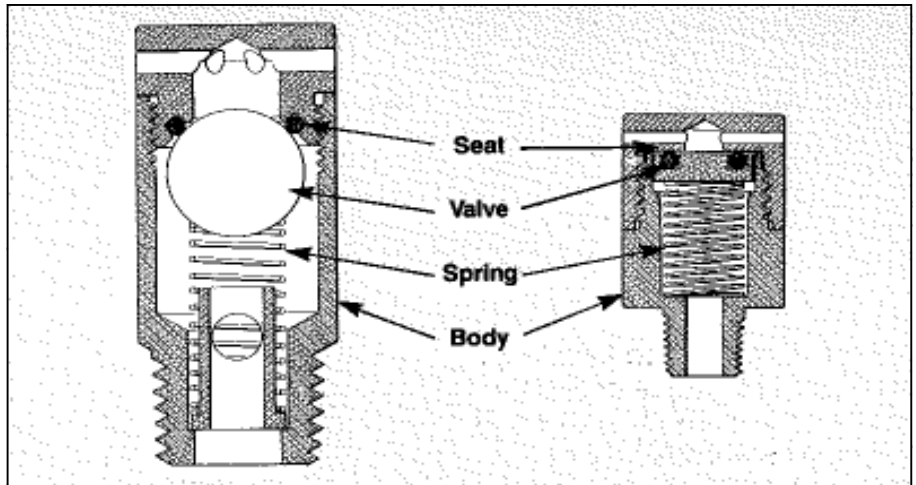


VB 3856



VB 3875

**Vacuum Breakers**  
**Engineering**  
**Specifications**







**Materials**

Model No.	Body	Spring	Valve	Seat
VB 3901	Brass	Stainless Steel	Brass and Silicon	Brass
VB 3902				
VB 3856	Brass	Stainless Steel	Stainless	Silicon
VB 3875				

Models are available in four NPT Pipe Sizes. They are 1/8", 1/4", 1/2" and 3/4", all of which are rated for pressures up to 125 PSIG (8.6 Bar), and temperatures to 350° F (180° C). Construction materials are listed in table.

**Vacuum**  
**Required**  
**To Open**  
(Inches of Mercury)

Model No.	Horizontal *	Vertical		
		 Bottom Outlet	 Top Outlet	 No Spring
VB 3901	1.27	1.25	1.75	0.2
VB 3902				
VB 3856	0.77	0.75	1.25	0.3
VB 3875				



**\*Note on installation:** The preferred method of installation is in the **vertical** position. Horizontal installation should be used only if no other option is available and only above the water line. Vacuum breakers should be placed at the highest practical point.

The table above lists the corresponding “break” points for the various models and positions. MEPCO can custom engineer customer requirements in applications that require other “break” points.