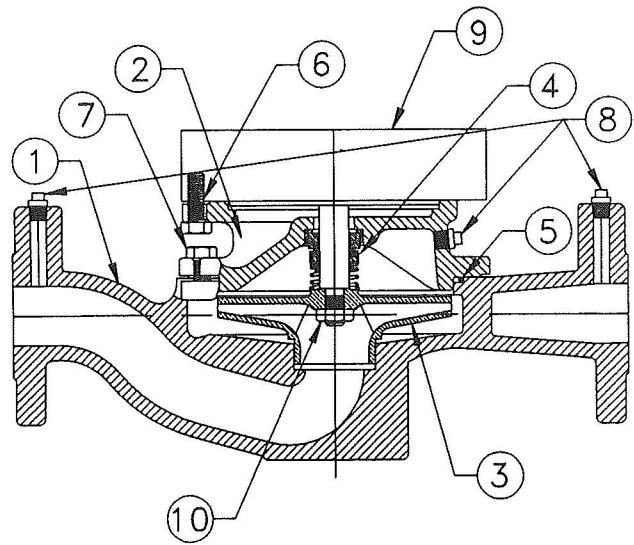


Contact your sales rep to order parts. If you do not know who your sales rep is contact the factory for help in locating your sales rep.

| ITEM # | PART # | DESCRIPTION |
|--------|---------|---------------------------------|
| 9 | S-463R | MOTOR 1-1/2 HP, 1 PHASE ODP 56J |
| 9 | S-464R | MOTOR 2 HP, 1 PHASE ODP 56J |
| 9 | S-2770R | MOTOR 1/3 HP, 3 PHASE ODP 56J |
| 9 | S-2771R | MOTOR 1/2 HP, 3 PHASE ODP 56J |
| 9 | S-2772R | MOTOR 3/4 HP, 3 PHASE ODP 56J |
| 9 | S-2773R | MOTOR 1 HP, 3 PHASE ODP 56J |
| 9 | S-2774R | MOTOR 1-1/2 HP, 3 PHASE ODP 56J |
| 9 | S-2775R | MOTOR 2 HP, 3 PHASE ODP 56J |
| 9 | S-4551R | MOTOR 3 HP, 3 PHASE ODP 56J |

| ITEM # | PART # | DESCRIPTION |
|--------|----------|----------------------------------|
| 9 | S-402E | MOTOR 1/3 HP, 1 PHASE TEFC 56J |
| 9 | S-460RE | MOTOR 1/2 HP, 1 PHASE TEFC 56J |
| 9 | S-461RE | MOTOR 3/4 HP, 1 PHASE TEFC 56J |
| 9 | S-462RE | MOTOR 1 HP, 1 PHASE TEFC 56J |
| 9 | S-463RE | MOTOR 1-1/2 HP, 1 PHASE TEFC 56J |
| 9 | S-464RE | MOTOR 2 HP, 1 PHASE TEFC 56J |
| 9 | S-2770RE | MOTOR 1/3 HP, 3 PHASE TEFC 56J |
| 9 | S-2771RE | MOTOR 1/2 HP, 3 PHASE TEFC 56J |
| 9 | S-2772RE | MOTOR 3/4 HP, 3 PHASE TEFC 56J |
| 9 | S-2773RE | MOTOR 1 HP, 3 PHASE TEFC 56J |
| 9 | S-2774RE | MOTOR 1-1/2 HP, 3 PHASE TEFC 56J |
| 9 | S-2775RE | MOTOR 2 HP, 3 PHASE TEFC 56J |
| 9 | S-4551RE | MOTOR 3 HP, 3 PHASE TEFC 56J |
| 10 | S-4988 | NUT BRONZE |
| 10 | S-4989 | NUT STEEL |



SEAL KITS FOR RP05-1-1/4, & RP06-1-1/2.

| MOTOR FRAME | SEAL MATERIAL | PUMP TYPE | PART NUMBER |
|-------------|---------------|-----------|-------------|
| 56J | BUNA N | BF OR AI | ML11763 |
| 56J | EPT | BF OR AI | ML11764 |
| 56J | VITON | BF OR AI | ML11765 |
| 56J | BUNA N | AB | ML11766 |
| 56J | EPT | AB | ML11767 |
| 56J | VITON | AB | ML11768 |

SEAL KIT INCLUDES; SEAL, & CASE O-RING.
 BF-BRONZE FITTED, AI ALL IRON, & AB ALL BRONZE



3695 44th Street SE Grand Rapids, MI 49512 - (P) 616-971-3420 (F) 616-971-3421 - www.mepcollc.com